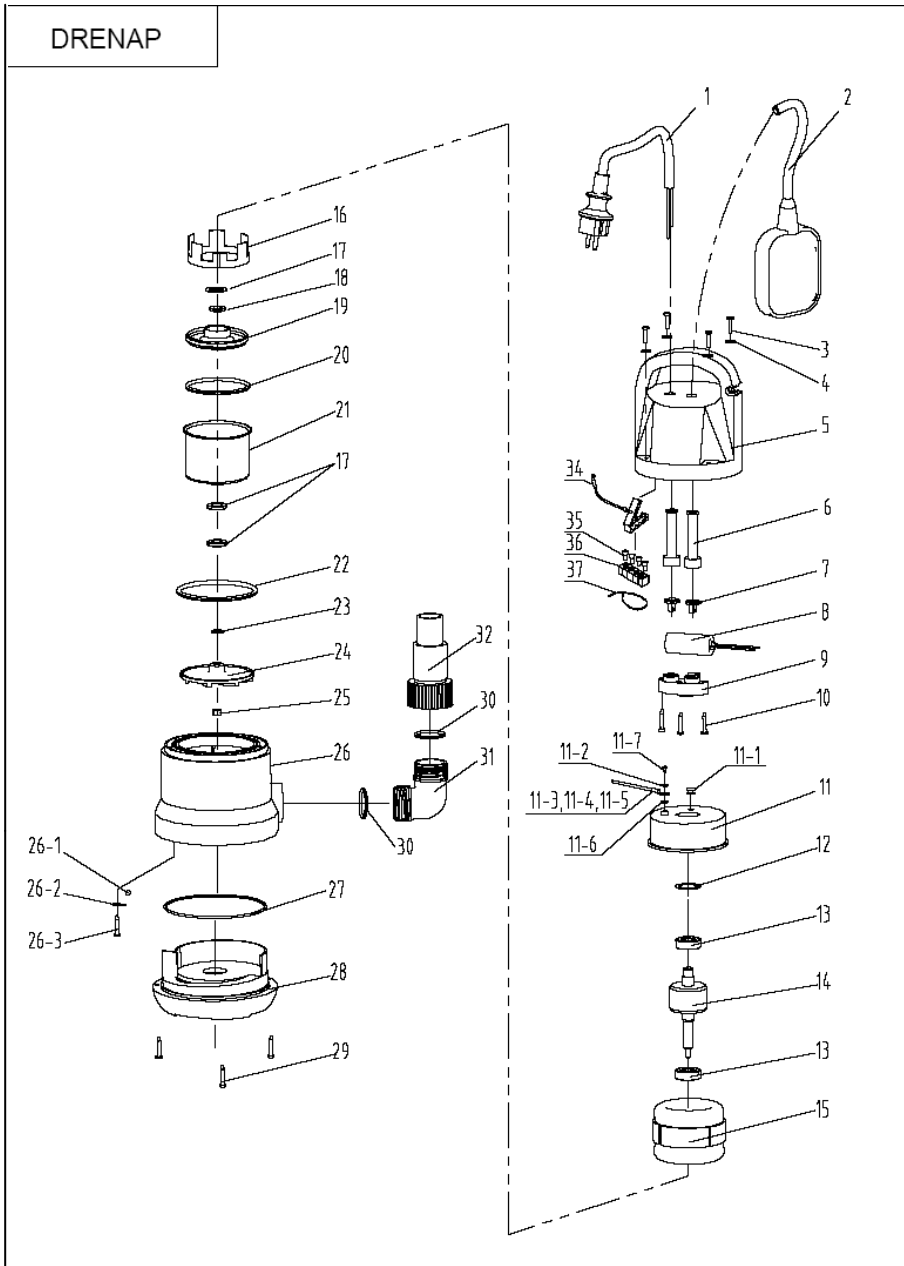


DRENAP



No.	Name	Material	QTY	No.	Name	Material	QTY
1	cable		1	18	skeleton ring	NBR	2
2	float switch		1	19	aluminum bushing	YL102	1
3	tapping screw	201	4	20	O-ring	NBR	1
4	gasket	201	4	21	front cover	ST14	1
5	end pump case	PP-GF20	1	22	O-ring	NBR	1
6	cable sleeve	EPDM	1	23	adjusting gasket	201	1
6	cable sleeve	EPDM	1	23	adjusting gasket	201	1
7	grommet	PA-GF20	1	24	impeller	PA-GF30	1
7	grommet	PA-GF20	1	25	nut	201	1
8	6uF capacitor		1	26	pump case	PP-GF20	1
9	retaining plate	PA-GF30	1	26-1	steel ball	201	1
10	tapping screw	35	3	26-2	saml gasket	201	1
11	end cover	YL102	1	26-3	tapping screw	201	1
11-1	cable sleeve	NR	1	27	O-ring	NBR	1
11-2	pad		1	28	base	PP-GF20	1
11-3	yellow-green line		1	29	tapping screw	201	3
11-4	lug plate	H62	1	30	O-ring	NBR	2
11-5	contracted pipe		0.025m	31	bend	PP-GF20	1
11-6	pad		1	32	output bend	PP-GF20	1
11-7	screw	H62	1	33			
12	corrugated gasket	65Mn	1	34	gounded shield	Q195 Galvanized	1
13	bearing		2	35	Nylon safety pressing line hat		2
14	rator		1	35	Nylon safety pressing line hat		3
15	stator		1	36	rubber lined claw	NR	1
16	ring gasket	Q195 Galvanized	1	37	ribbon	PA	1
17	gasket	ST12	1				